



Flexible & Expandable Conveyor 柔性伸缩输送机



TYCON(Fuzhou)Co.,LTD.
福州大康机械设备有限公司

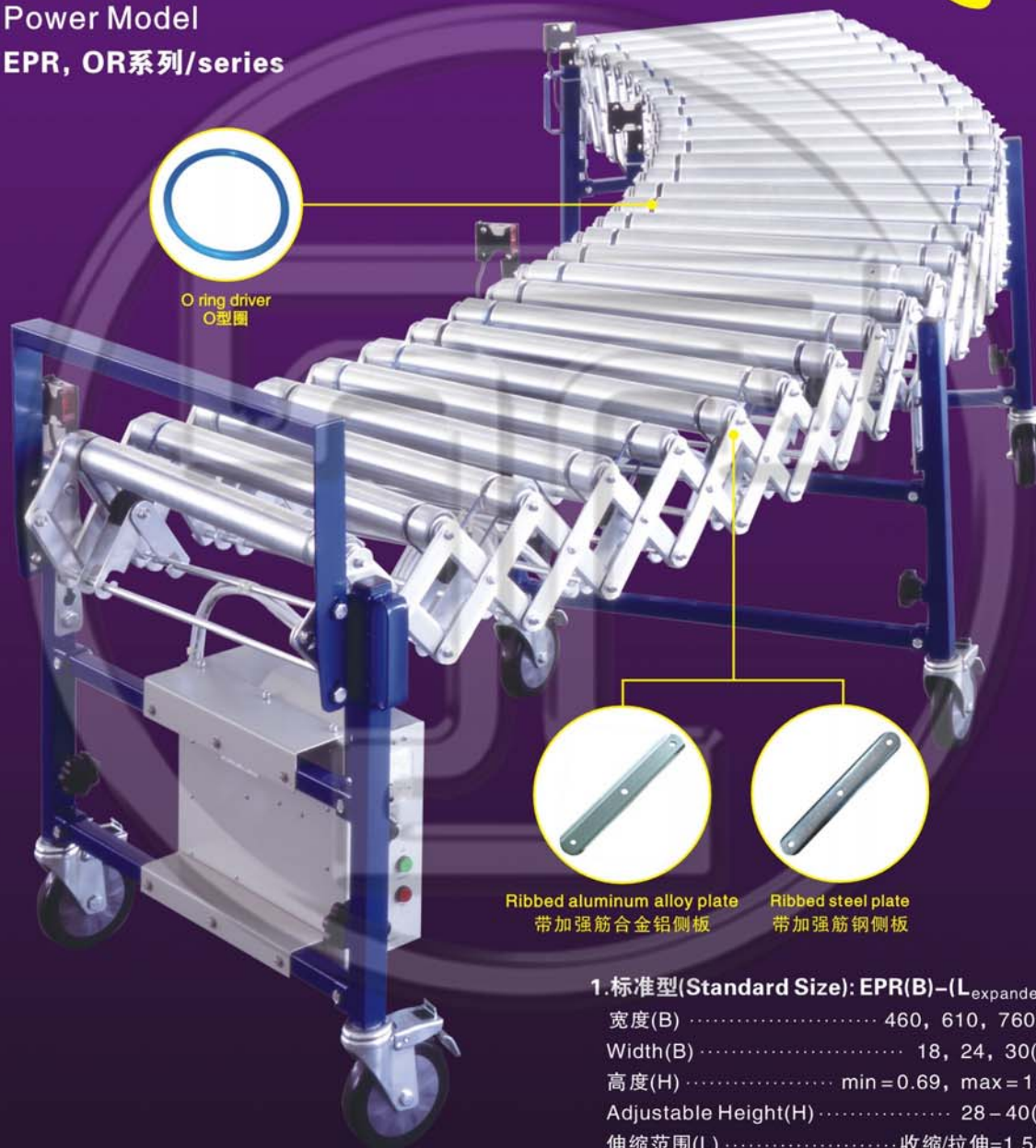


设计 Design · 制造 Manufacture · www.tycon.net

伸缩输送机，滚筒动力系列

Expandable Conveyor, Roller,
Power Model

EPR, OR系列/series



O ring driver
O型圈



Ribbed aluminum alloy plate
带加强筋合金铝侧板



Ribbed steel plate
带加强筋钢侧板

EPR460-4000 OR

width 460mm(18")
宽度460mm

expanded length 4000mm(13")
展开长度4000mm

1. 标准型(Standard Size): EPR(B)-(L_{expanded})SR

宽度(B)	460, 610, 760(mm)
Width(B)	18, 24, 30(inch)
高度(H)	min = 0.69, max = 1.1(m)
Adjustable Height(H)	28 - 40(inch)
伸缩范围(L)	收缩/拉伸=1.5/4(m)
Length(L)	L _{closed/expanded} = 5-13(ft)
承载能力(C)	80(kg/m)
Capacity(C)	55(lbs/ft)

2. 非标准型按客户要求定制

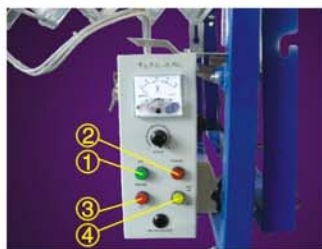
Customized Model Available

特性(Features):

• 标准型(4m或者13ft)由3个独立单元和1个控制箱构成, 每单元配1台单相交流电机, 经大康特制的无缝O带驱动静音滚筒。EPR无传感器输送机, 可实现调速, 正反向。EPR SR带传感器输送机, 控制箱还可根据每个单元的反馈信号决定各单元的工作状态, 从而实现整机预设的工作模式。1个控制箱可以控制多台EPR输送机, 组成一子系统。Standard model (4m or 13ft long) consists of 3 independent sections and 1 control box. One single phase AC motor each section. Quiet rollers are driven by Tycon's seamless O ring. EPR conveyor (without sensor) features adjustable speed and forward/reverse function. EPR SR conveyor (with sensor) adds functions of pre-set working modes of whole conveyor, based on feedback signal from each section's sensor. One control box is able to control several conveyors to form a sub-system.

• 滚筒.....48.3mm(标准), 表面镀锌。
Roller.....1.9"(standard), zinc plated finish.

• 方管支撑脚.....含大康特有的专利保险装置, 双层厚壁方管可承受更重的载荷, 具有更长的使用寿命和更好的抗冲击能力。
Square tube legs.....double heavy duty square tubing legs for easily height adjusting, longer service life and better impact absorbing, with patented safety mechanism.



- ①开始 (start)
- ②开关 (power)
- ③停止 (stop)
- ④前进/后退 (forward/reverse)

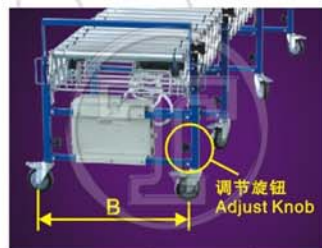


- 电机 (Motors) :
单相AC电机, 110V/220V
Single-Phase AC motor,
110V/220V



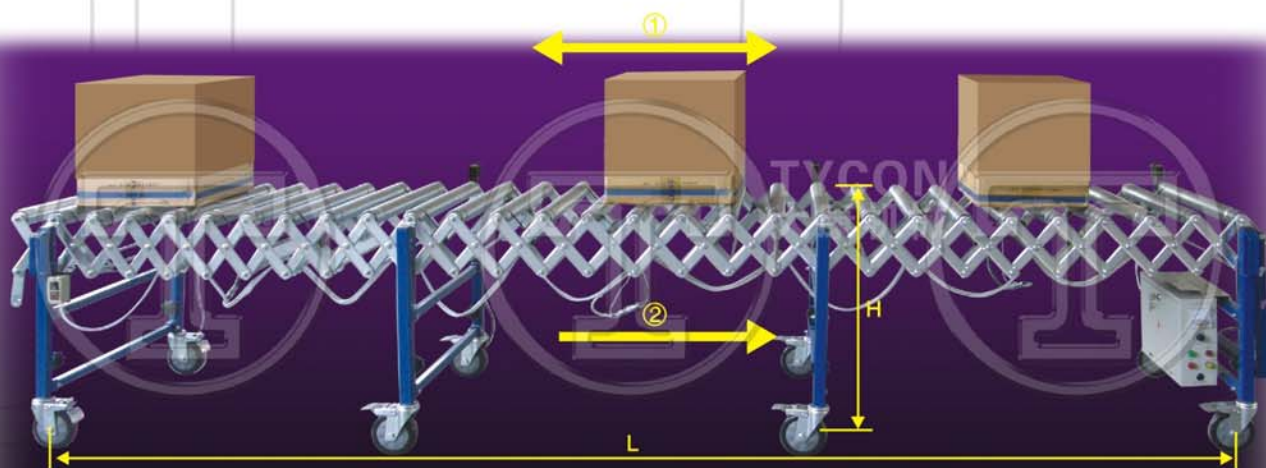
• 连接挂钩.....输送机尾部的挂钩可以方便地连接其他的输送设备

Leg Connect Brackets...Connector couplers easily connect additional conveyors



• 高度调节.....通过调节旋钮可以很简单地升高或降低输送面的高度

Adjustable Height...Simply turn the locking knob to raise and lower the conveyor bed height



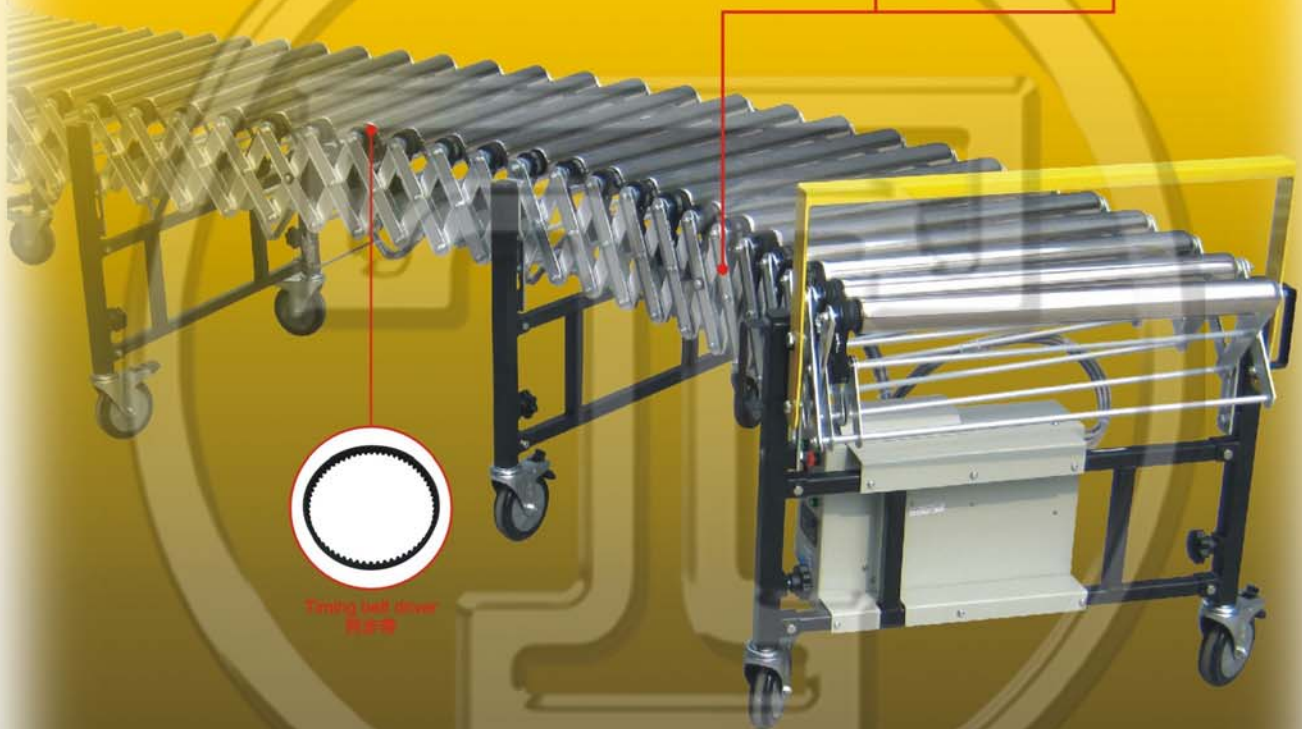
• 工作模式(适用于带传感器EPR SR型号系列), 1)往返模式(标准), 2)积放模式(标准), 客户自定(可选)
Working mode, (for EPR SR series conveyor with sensors), 1) cycling mode (standard) 2) zero-pressure accumulation mode (standard), customized (optional)

伸缩输送机，滚筒动力系列

Expandable Conveyor, Roller,
Power Model
EPR, TB系列/series

Ribbed aluminum alloy plate
带加强筋合金铝侧板

Ribbed steel plate
带加强筋钢侧板



Timing belt roller
同步带

1. 标准型(Standard Size): EPR(B)-(L_{expanded})SR

宽度(B)	460, 610, 760(mm)
Width(B)	18, 24, 30(inch)
高度(H)	min = 0.69, max = 1.1(m)
Adjustable Height(H)	28 - 40(inch)
伸缩范围(L)	收缩/拉伸=1.5/4(m)
Length(L)	L _{closed/expanded} = 5-13(ft)
承载能力(C)	140(kg/m)
Capacity(C)	95(lbs/ft)

2. 非标准型按客户要求定制 Customized Model Available

EPR460-4000 TB

width 460mm(18")
宽度460mm

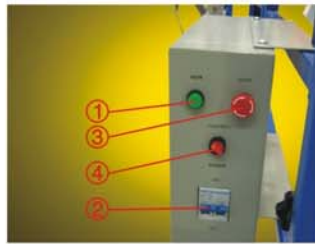
expanded length 4000mm(13")
展开长度4000mm

特性(Features):

• 标准型(4m或者13ft)由3个独立单元和1个控制箱构成, 每单元配1台单相交流电机, 经大康特制的同步带驱动静音滚筒。EPR无传感器输送机, 可实现调速, 正反向。EPR SR带传感器输送机, 控制箱还可根据每个单元的反馈信号决定各单元的工作状态, 从而实现整机预设的工作模式。1个控制箱可以控制多台EPR输送机, 组成一子系统。
Standard model (4m or 13ft long) consists of 3 independent sections and 1 control box. One single phase AC motor each section. Quiet rollers are driven by Tycon's timing belt. EPR conveyor (without sensor) features adjustable speed and forward/reverse function. EPR SR conveyor (with sensor) adds functions of pre-set working modes of whole conveyor, based on feedback signal from each section's sensor. One control box is able to control several conveyors to form a sub-system.

• 滚筒.....48.3mm(标准), 表面镀锌。
Roller.....1.9"(standard), zinc plated finish.

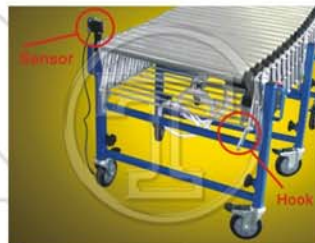
• 方管支撑脚.....含大康特有的专利保险装置, 双层厚壁方管可承受更重的载荷, 具有更长的使用寿命和更好的抗冲击能力。
Square tube legs.....double heavy duty square tubing legs for easily height adjusting, longer service life and better impact absorbing, with patented safety mechanism.



- ①开始 (start)
- ②开关 (power)
- ③停止 (stop)
- ④前进/后退 (forward/reverse)



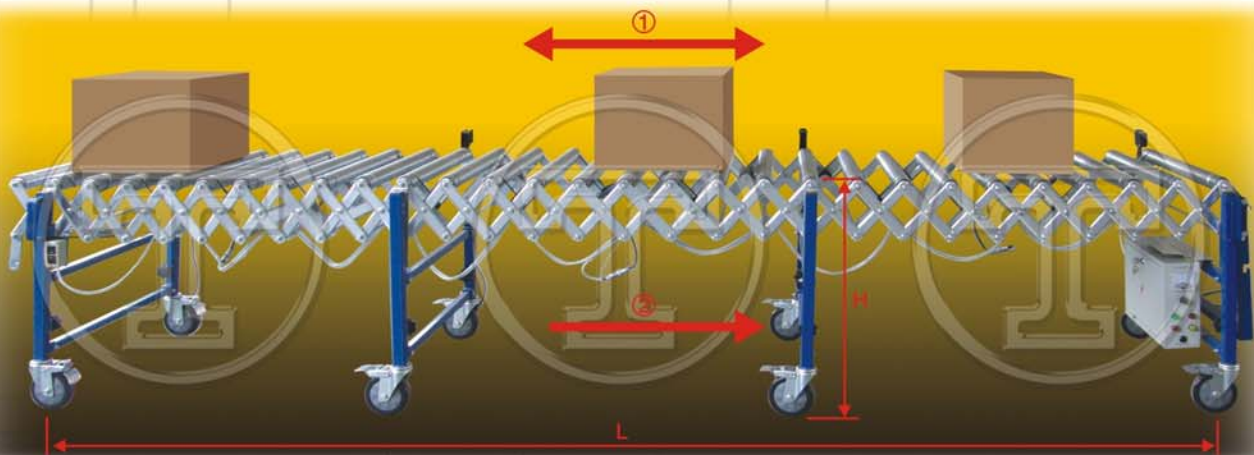
• 电机 (Motors) :
单相AC电机, 110V/220V
Single-Phase AC motor,
110V/220V



• 连接挂钩.....输送机尾部的挂钩可以方便地连接其他的输送设备
Leg Connect Brackets...Connector couplers easily connect additional conveyors



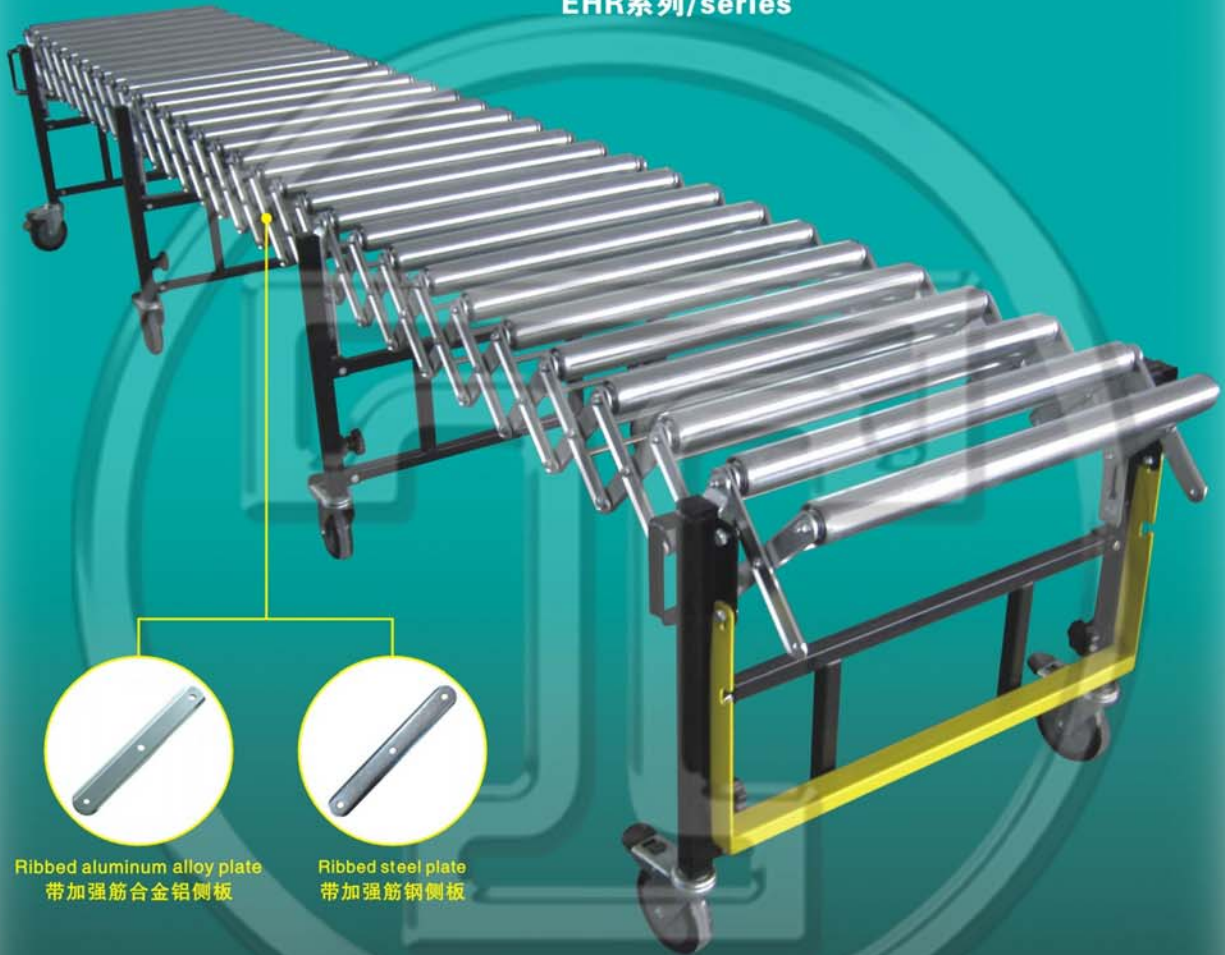
• 高度调节.....通过调节旋钮可以很简单地升高或降低输送面的高度
Adjustable Height...Simply turn the locking knob to raise and lower the conveyor bed height



• 工作模式(适用于带传感器EPR SR型号系列), 1)往返模式(标准), 2)积放模式(标准), 客户自定(可选)
Working mode, (for EPR SR series conveyor with sensors), 1) cycling mode (standard) 2) zero-pressure accumulation mode (standard), customized (optional)

伸缩输送机，滚筒标准系列

Expandable Conveyor, Roller, Standard Model
EHR系列/series



Ribbed aluminum alloy plate
带加强筋合金铝侧板

Ribbed steel plate
带加强筋钢侧板

1. 标准型(Standard Size): EHR(B)-(L_{expanded})

宽度(B) 460, 610, 760(mm)
Width(B) 18, 24, 30(inch)
高度(H) min = 0.69, max = 1(m)
Adjustable Height(H) 28 - 40(inch)
伸缩范围(L) 收缩/拉伸=1.5/4(m)
Length(L) L_{closed/expanded} = 5-13(ft)
承载能力(C) 450(kg/m)
Capacity(C) 300(lbs/ft)

2. 非标准型按客户要求定制
Customized Model Available

EHR460-4000

width 460mm(18")
宽度460mm

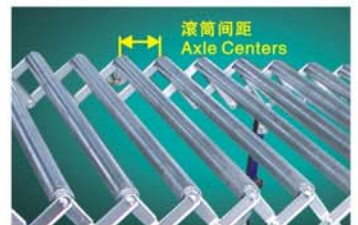
expanded length 4000mm(13")
展开长度4000mm



调节旋钮
Adjustment Knob



• **连接挂钩**.....输送机尾部的挂钩可以方便地连接其他的输送设备
Leg Connect Brackets...Connector couplers easily connect additional conveyors



滚筒间距
Axle Centers

• **滚筒间距**.....在50-130mm之间均可选择, 可传送小尺寸物品
Axle Centers...Optional 2" - 5" are available for small package applications

特性(Features):

• 适用于不规则包装, 软性包装物品的运送。可增加档边(可选)来增强输送机的自导向性。
Good for handling odd shape package, soft package. Optional side rail improves the self-tracking performance of conveyor.

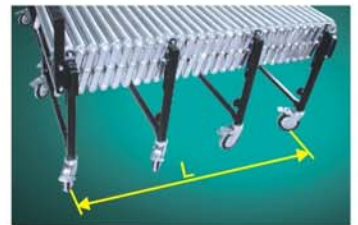
• **重载刹车脚轮**.....直径127mm优质重载带刹车聚氨酯脚轮。可轻松移动输送机, 同时保证输送机的整体承载能力和使用寿命。输送机按照场地要求调整转弯及整体形状后, 踩下脚轮刹车, 可确保输送机在使用过程中不变形。
HD casters with brake...5" heavy duty caster with urethane tire & brake, features easy handling, high overall capacity and max durability of conveyor. Caster brakes hold wheel and swivel simultaneously while conveyor is in use.

• **滚筒**.....48.3mm(标准), 35mm(可选)。表面镀锌。
Roller.....1.9" (standard), 1-3/8" (optional), zinc plated finish.

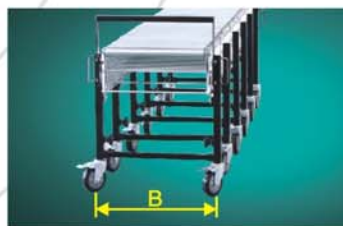
• **方管支撑脚**.....含大康特有的专利保险装置, 双层厚壁方管可承受更重的载荷, 具有更长的使用寿命和更好的抗冲击能力。
Square tube legs...double heavy duty square tubing legs for easily height adjusting, longer service life and better impact absorbing, with patented safety mechanism.



• **挡杆**.....拉起时可将传送物品挡在输送机的末端而防止物品滑出输送机, 不需要的时候可以将其放下
Package Stop...Prevents package falling off the conveyor and folds down when not needed



• **标准长度 (Standard Lengths)** :
收缩: 1.5m **拉伸: 4m**
Closed: 5' **Expanded: 13'**
客户要求长度可以定制
Customized Length Available



伸缩输送机，双排滚筒系列

Expandable Conveyor, Double Rows
Roller Model
EHR, DR系列/series



Ribbed aluminum alloy plate
带加强筋合金铝侧板



Ribbed steel plate
带加强筋钢侧板

EHR460-4000 DR

width 460mm(18")
宽度460mm

expanded length 4000mm(13")
展开长度4000mm

1. 标准型(Standard Size): EHR(B)-(L_{expanded})DR

宽度(B) 460, 610, 760(mm)
Width(B) 18, 24, 30(inch)
高度(H) min=0.69, max=1(m)
Adjustable Height(H) 28-40(inch)

伸缩范围(L) 收缩/拉伸=1.5/4(m)
Length(L) L_{closed/expanded}=5-13(ft)
承载能力(C) 450(kg/m)
Capacity(C) 300(lbs/ft)

2. 非标准型按客户要求定制 Customized Model Available

特性(Features):

- 适用于不规则包装, 软性包装物品的运送。较EHR标准系列有更好的自导向性, 也可增加挡边(可选)来进一步增强输送机的自导向性。

Good for handling odd shape package, soft package. Better self-tracking performance than EHR standard conveyor. Optional side rail will further improve the self-tracking performance of conveyor.

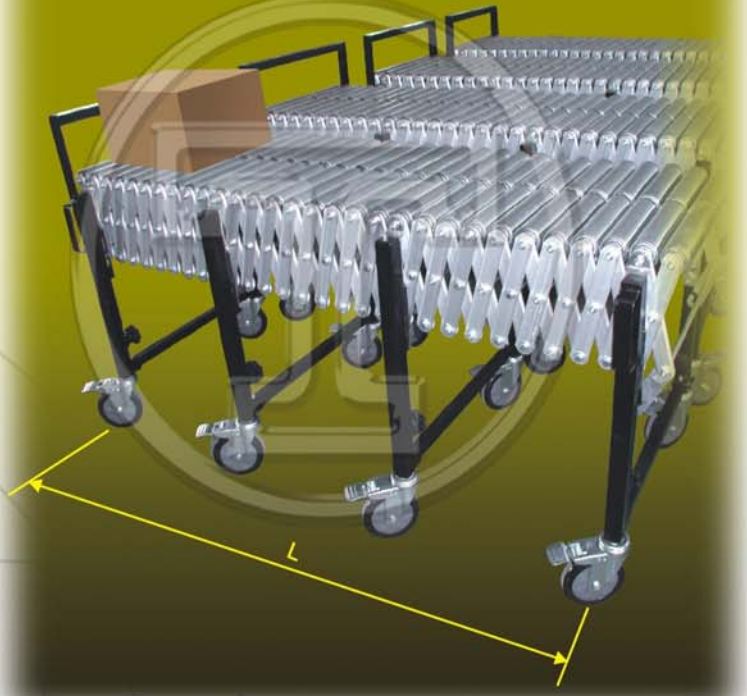
- **重载刹车脚轮**.....直径127mm优质重载带刹车聚胺脂脚轮。可轻松移动输送机, 同时保证输送机的整体承载能力和使用寿命。输送机按照场地要求调整转弯及整体形状后, 踩下脚轮刹车, 可确保输送机在使用过程中不变形。

HD casters with brake...5" heavy duty caster with urethane tire & brake, features easy handling, high overall capacity and max durability of conveyor. Caster brakes hold wheel and swivel simultaneously while conveyor is in use.

- **滚筒**.....48.3mm(标准), 35mm(可选)。表面镀锌。Roller.....1.9" (standard), 1-3/8" (optional), zinc plated finish.

- **方管支撑脚**.....含大康特有的专利保险装置, 双层厚壁方管可承受更重的载荷, 具有更长的使用寿命和更好的抗冲击能力。

Square tube legs.....double heavy duty square tubing legs for easily height adjusting, longer service life and better impact absorbing, with patented safety mechanism.



- **标准长度 (Standard Lengths) :**

收缩: 1.5m

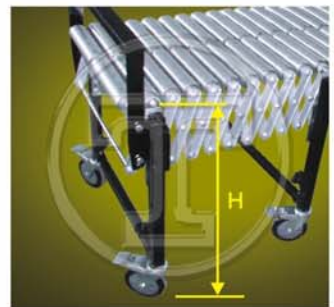
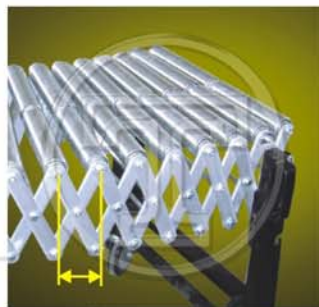
拉伸: 4m

Closed: 5'

Expanded: 13'

客户要求长度可以定制

Customized Length Available



- **连接挂钩**.....输送机尾部的挂钩可以方便地连接其他的输送设备

Leg Connect Brackets...Connector couplers easily connect additional conveyors

- **滚筒间距**.....在50-130mm之间均可选择, 可传送小尺寸物品

Axle Centers...Optional 2" - 5" are available for small package applications

- **挡杆**.....拉起时可将传送物品挡在输送机的末端而防止物品滑出输送机, 不需要的时候可以将其放下

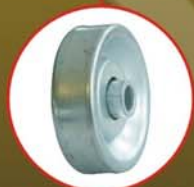
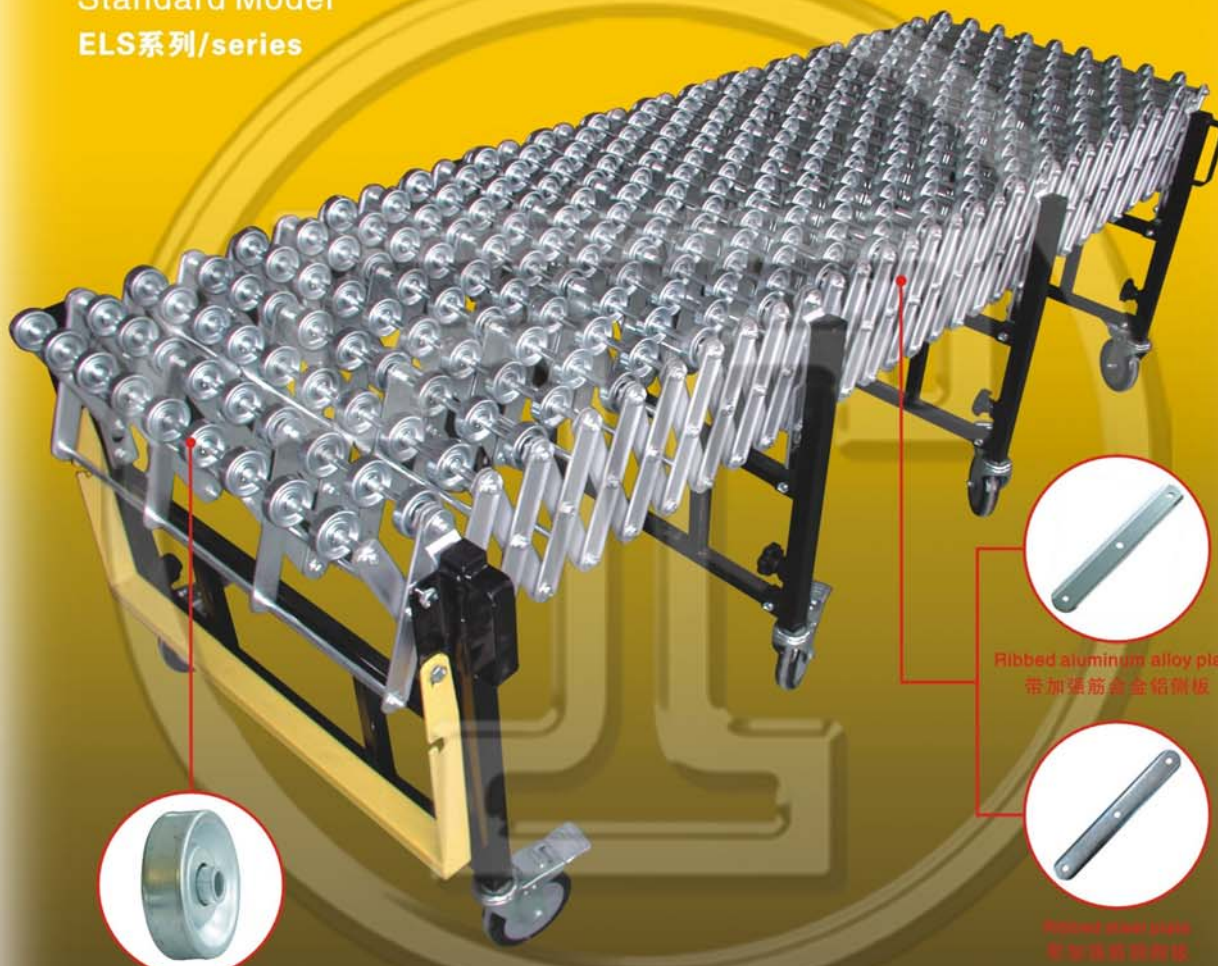
Package Stop.....Prevents package falling off the conveyor and folds down when not needed

- **高度可调节**.....通过调节旋钮可以很简单地升高或降低输送面的高度

Adjustable Height...Simply turn the locking knob to raise and lower the conveyor bed height

伸缩输送机，滚轮标准系列

Expandable Conveyor, Steel Wheel,
Standard Model
ELS系列/series



SKB 194 100kg



Ribbed aluminum alloy plate
带加强筋合金铝板



Ribbed steel plate
带加强筋钢板

ELS460-4000

width 460mm(18")
宽度460mm

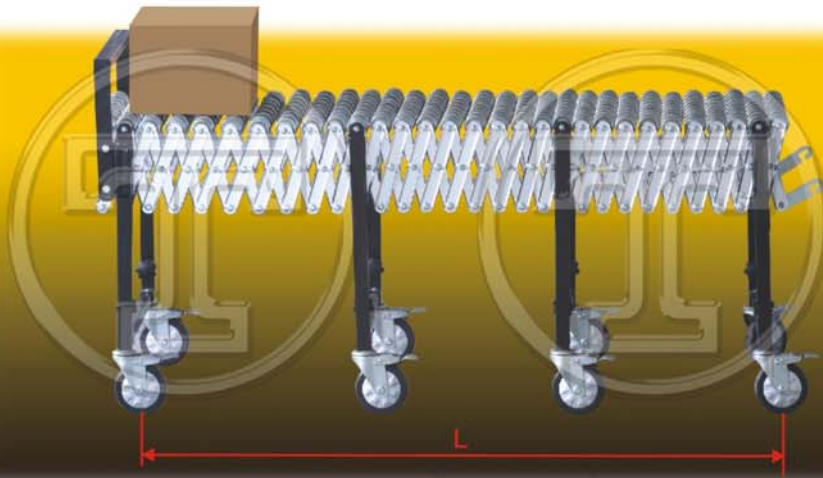
expanded length 4000mm(13")
展开长度4000mm

1.标准型(Standard Size): ELS(B)-(L_{expanded})

宽度(B)	460, 610, 760(mm)
Width(B)	18, 24, 30(inch)
高度(H)	min = 0.69, max = 1(m)
Adjustable Height(H)	28 - 40(inch)
伸缩范围(L)	收缩/拉伸=1/4(m)
Length(L)	L _{closed/expanded} = 3 1/4 - 13(ft)
承载能力(C)	230(kg/m)
Capacity(C)	155(lbs/ft)

2.非标准型按客户要求定制

Customized Model Available



- 标准长度 (Standard Lengths) :
收缩: 1m
Closed: 3¹/₄'
拉伸: 4m
Expanded: 13'
客户要求长度可以定制
Customized Length Available

特性(Features):

• **ELS**输送机特性介于**ELP**和**EHS**输送机之间, 适用强调自重轻和中高承载能力的用途, 如随车装卸设备。
ELS conveyor fits between ELP & EHS conveyors, good for applications requiring light deadweight and medium-to-high load capacity, such as in-truck loader & unloader.

• **重载刹车脚轮**……直径127mm优质重载带刹车聚胺脂脚轮。可轻松移动输送机, 同时保证输送机的整体承载能力和使用寿命。输送机按照场地要求调整转弯及整体形状后, 踩下脚轮刹车, 可确保输送机在使用过程中不变形。
HD casters with brake…5"heavy duty caster with urethane tire & brake, features easy handling, high overall capacity and max durability of conveyor. Caster brakes hold wheel and swivel simultaneously while conveyor is in use.

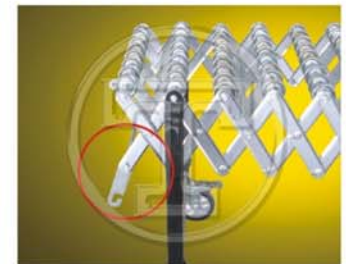
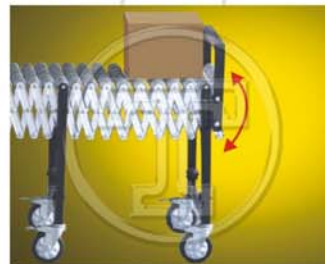
• **方管支撑脚**……含大康特有的专利保险装置, 双层厚壁方管可承受更重的载荷, 具有更长的使用寿命和更好的抗冲击能力。
Square tube legs……double heavy duty square tubing legs for easily height adjusting, longer service life and better impact absorbing, with patented safety mechanism.

• **超长寿命重载滚轮**……采用大康特有的SKB194系列滚轮, 内带载荷能力为100kg的专用轴承, 平均使用寿命为1000万转。
HD skate wheel……feature with Tycon's SKB194 series heavy duty skate wheel, integrated with 220lbs/100kg capacity core bearing, average duration of 10 million revolutions.



• **10,000,000 转的正常使用寿命**
10,000,000 revolutions under normal use
100kg 重载能力

• **高度调节**……通过调节旋钮可以很简单地升高或降低输送面的高度
Adjustable Height…Simply turn the locking knob to raise and lower the conveyor bed height



• **挡杆**……拉起时可将传送物品挡在输送机的末端而防止物品滑出输送机, 不需要的时候可以将其放下
Package Stop…Prevents package falling off the conveyor and folds down when not needed

• **连接挂钩**……输送机尾部的挂钩可以方便地连接其他的输送设备
Leg Connect Brackets…Connector couplers easily connect additional conveyors

伸缩输送机，滚轮重载系列

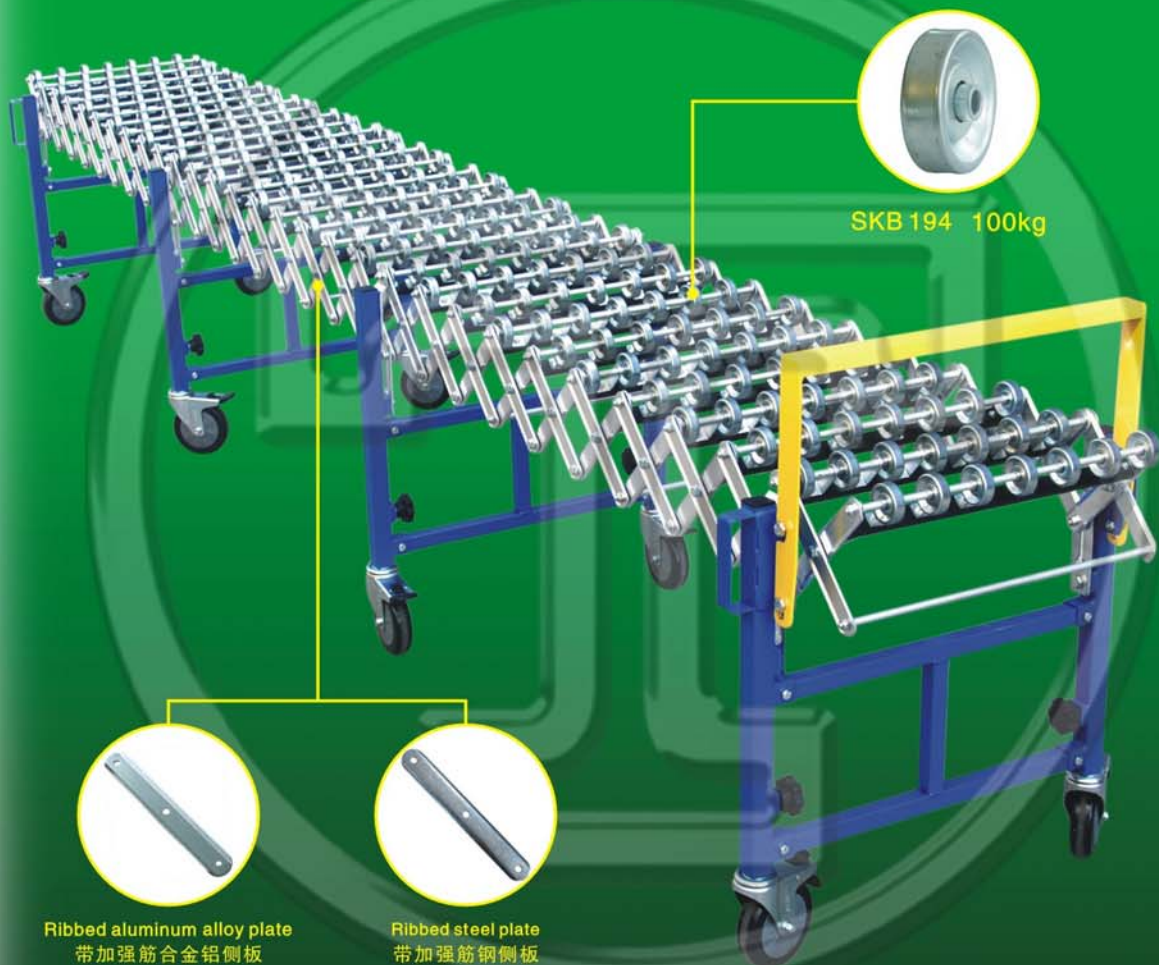
Expandable Conveyor, Steel Wheel,
Heavy Duty Model

EHS系列/series

EHS610-4000

width 610mm(24")
宽度610mm

expanded length 4000mm(13")
展开长度4000mm



Ribbed aluminum alloy plate
带加强筋铝合金侧板

Ribbed steel plate
带加强筋钢板

SKB 194 100kg

1. 标准型(Standard Size): EHS(B)-(L_{expanded})

宽度(B) 460, 610, 760(mm)

Width(B) 18, 24, 30(inch)

高度(H) min = 0.69, max = 1(m)

Adjustable Height(H) 28 - 40(inch)

伸缩范围(L) 收缩/拉伸=1/4(m)

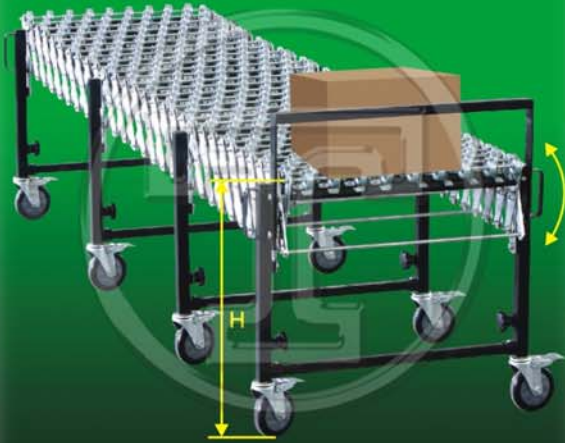
Length(L) L_{closed}/expanded = 3 1/4 - 13(ft)

承载能力(C) 450(kg/m)

Capacity(C) 300(lbs/ft)

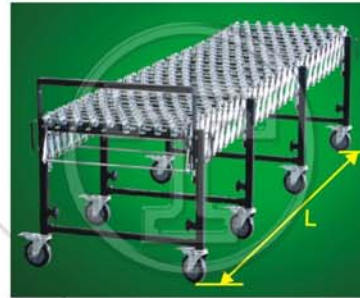
2. 非标准型按客户要求定制

Customized Model Available



挡杆……………拉起时可将传送物品挡在输送机的末端而防止物品滑出输送机,不需要的时候可以将其放下

Package Stop…Prevents package falling off the conveyor and folds down out of the way when not needed



• **标准长度 (Standard Lengths) :**

收缩: 1m

Closed: 3¹/₄'

拉伸: 4m

Expanded: 13'

客户要求长度可以定制

Customized Length Available

特性(Features):

- 采用加强型整体结构和SKB重载滚轮, 具有强负载能力, 高抗冲击能力和长使用寿命的特点。适用于高使用强度, 冲击负载, 重负载等场合。

By reinforced structure and SKB heavy duty skate wheel, EHS conveyor achieves high load capacity, strong impact resistance and outstanding service expectancy, especially for high density usage, impact loading and heavy cargo handling.

- 方管支撑脚……………含大康特有的专利保险装置, 双层厚壁方管可承受更重的载荷, 具有更长的使用寿命和更好的抗冲击能力。

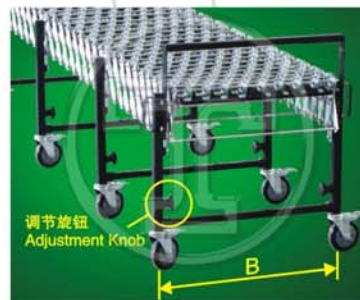
Square tube legs……double heavy duty square tubing legs for easily height adjusting, longer service life and better impact absorbing, with patented safety mechanism.

- 超长寿命重载滚轮……………采用大康特有的SKB194系列滚轮, 内带载能力为100kg的专用轴承, 平均使用寿命为1000万转。
HD skate wheel……feature with Tycon's SKB194 series heavy duty skate wheel, integrated with 220lbs/100kg capacity core bearing, average duration of 10 million revolutions.



• **连接挂钩**……………输送机尾部的挂钩可以方便地连接其他的输送设备

Leg Connect Brackets…Connector couplers easily connect additional conveyors



• **高度调节**……………通过调节旋钮可以很简单地升高或降低输送面的高度

Adjustable Height…Simply turn the locking knob to raise and lower the conveyor bed height



• **10,000,000 转的正常使用寿命**

10,000,000 revolutions under normal use

100kg 重载能力

SKB194 重载滚轮
SKB194 Heavy Duty Skatewheel

伸缩输送机，尼龙滚轮轻载系列

Expandable Conveyor, Plastic Wheel, Express Model
ELP系列/series



SKB 194, 15kg
BK: back wheel 黑色滚轮
WT: white wheel 白色滚轮

Ribbed aluminum alloy plate
带加强筋合金铝侧板

Ribbed steel plate
带加强筋钢侧板

ELP460-4000 WP

width 460mm(18")
宽度460mm

expanded length 4000mm(13")
展开长度4000mm

1. 标准型(Standard Size): ELP(B)-(L_{expanded}) WP

宽度(B) 460, 610, 760(mm)
Width(B) 18, 24, 30(inch)
高度(H) min = 0.69, max = 1(m)
Adjustable Height(H) 28 - 40(inch)
伸缩范围(L) 收缩/拉伸=1/4(m)
Length(L) L_{closed/expanded} = 3 1/4 - 13(ft)
承载能力(C) 85(kg/m)
Capacity(C) 56(lbs/ft)

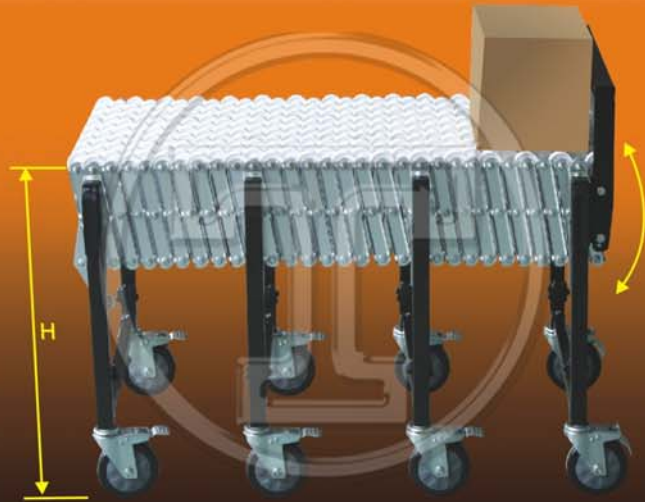
2. 非标准型按客户要求定制

Customized Model Available

特性(Features):

- 基于大康滚轮输送机自身杰出的自导向性能, ELP系列特别适用于轻/中重量物品(如15kg纸箱), 按照预设的输送机转弯和坡度, 利用物品本身自重进行长距离自动传送, 可基本消除人工搬费用。

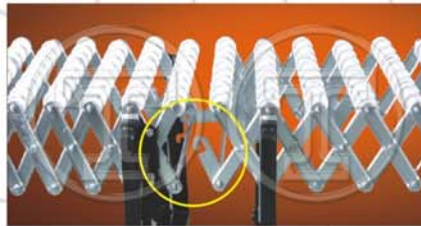
Benefited from Tycon's skate wheel conveyor excellent self-tracking property, ELP series conveyor specially good for light to medium weight package long distance delivery, driven by package's gravity, following pre-set curves, turns and slope, at nearly no labor cost.



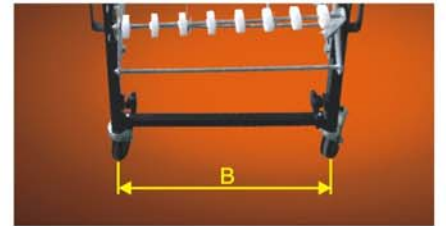
- **挡杆**.....拉起时可将传送物品挡在输送机的末端而防止物品滑出输送机,不需要的时候可以将其放下
Package Stop...Prevents package falling off the conveyor and folds down when not needed

- SKP系列滚轮, 采用优质自润滑工程塑料, 高精度钢珠及特别设计的内部结构, 滚轮不但转动摩擦系数极低, 同时又具有良好承载能力和最长使用寿命。

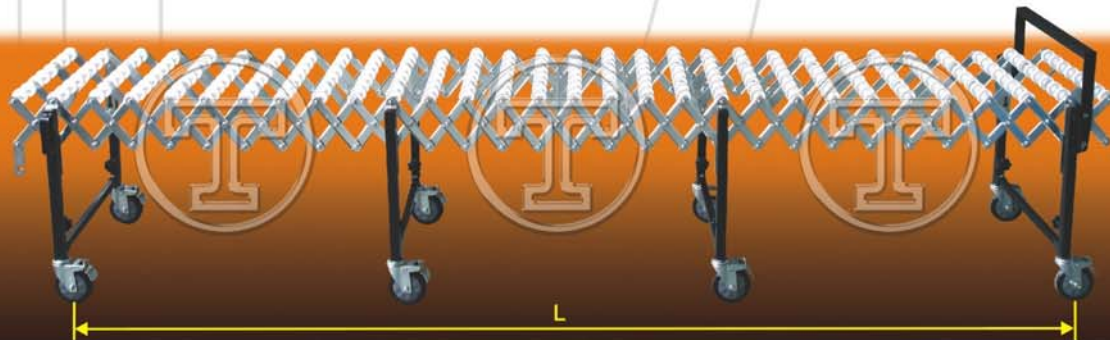
SKP skate wheel, in high quality self-lubricated engineer resin, high grade steel balls and special engineered internal structure, achieves combination of super low friction, moderate load capacity and max duration of performance.



- **连接挂钩**.....输送机尾部的挂钩可以方便连接其他的输送设备
Leg Connect Brackets...Connector couplers easily connect additional conveyors



- **高度可调节**.....通过调节旋钮可以很简单地升高或降低输送面的高度
Adjustable Height...Simply turn the locking knob to raise and lower the conveyor bed height



- **标准长度 (Standard Lengths) :** 收缩: 1m Closed: 3¼' 拉伸: 4m Expanded: 13'

客户要求长度可以定制 (Customized Length Available)

伸缩输送机，全不锈钢滚筒系列

Expandable Conveyor, All Stainless
Roller Model

EHR, SS系列/series

EHR460-4000 SS

width 460mm(18")
宽度460mm

expanded length 4000mm(13")
展开长度4000mm



Stainless plate
Side Plates

1. 标准型(Standard Size): EHR(B)-(L_{expanded})SS

宽度(B) 460, 610, 760(mm)
Width(B) 18, 24, 30(inch)
高度(H) min = 0.69, max = 1(m)
Adjustable Height(H) 28 - 40(inch)
伸缩范围(L) 收缩/拉伸=1.5/4(m)
Length(L) L_{closed/expanded} = 5-13(ft)
承载能力(C) 450(kg/m)
Capacity(C) 300(lbs/ft)

2. 非标准型按客户要求定制

Customized Model Available

伸缩输送机，包胶滚筒系列

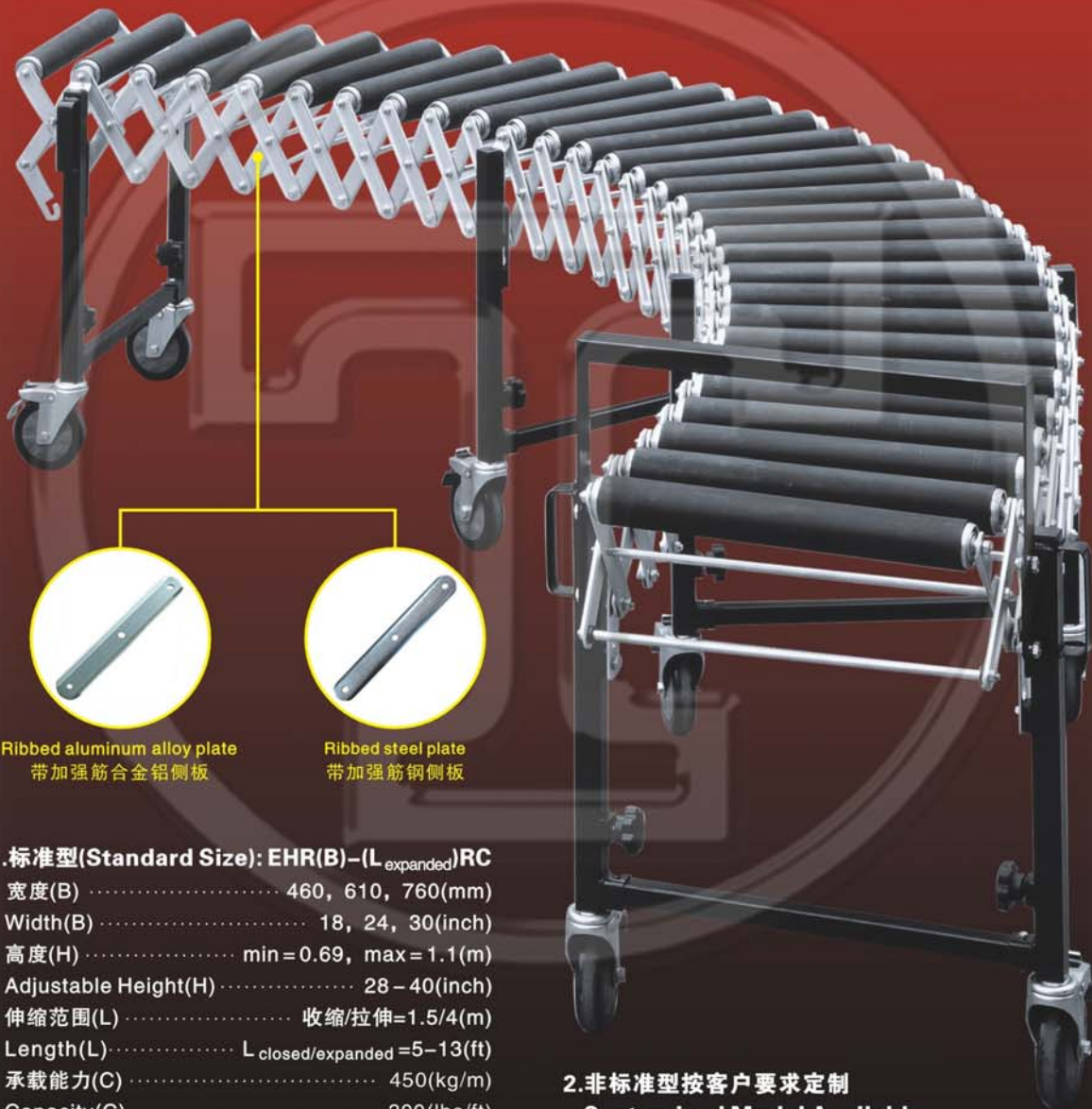
Expandable Conveyor, Rubber Coated
Roller Model

EHR, RC系列/series

EHR460-4000RC

width 460mm(18")
宽度460mm

expanded length 4000mm(13")
展开长度4000mm



Ribbed aluminum alloy plate
带加强筋合金铝侧板

Ribbed steel plate
带加强筋钢侧板

1. 标准型(Standard Size): EHR(B)-(L_{expanded})RC

宽度(B)	460, 610, 760(mm)
Width(B)	18, 24, 30(inch)
高度(H)	min = 0.69, max = 1.1(m)
Adjustable Height(H)	28 - 40(inch)
伸缩范围(L)	收缩/拉伸=1.5/4(m)
Length(L)	L _{closed/expanded} = 5-13(ft)
承载能力(C)	450(kg/m)
Capacity(C)	300(lbs/ft)

2. 非标准型按客户要求定制
Customized Model Available

特性(Features):

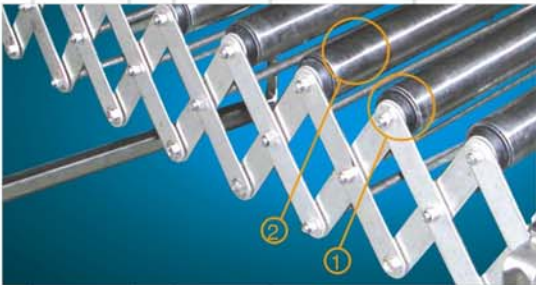
• 全部零件用不锈钢或者工程塑料制造, 特别适用于食品工业, 腐蚀性物品及腐蚀性工作环境。
All parts in stainless steel and engineer resin, good for food industry, corrosive product handling and corrosive working environment.

• **不锈钢重载刹车脚轮**.....直径127mm优质不锈钢重载带刹车聚胺脂脚轮。可轻松移动输送机, 同时保证输送机的整体承载能力和使用寿命。输送机按照场地要求调整转弯及整体形状后, 踩下脚轮刹车, 可确保输送机在使用过程中不变形。

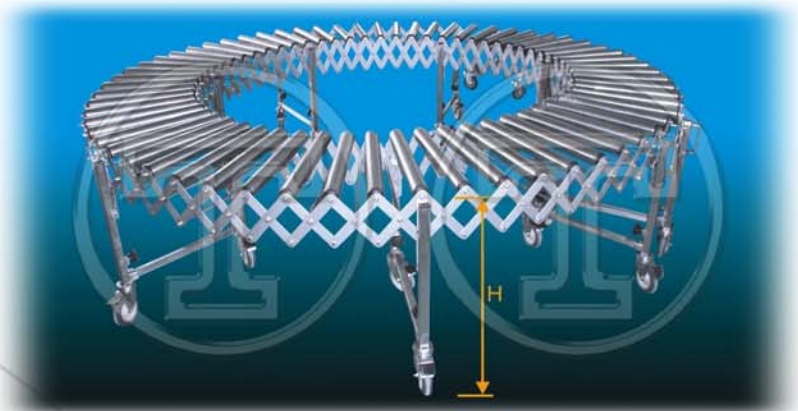
Stainless HD casters with brake.....5" heavy duty Stainless caster with urethane tire & brake, features easy handling, high overall capacity and max durability of conveyor. Caster brakes hold wheel and swivel simultaneously while conveyor is in use.

• **不锈钢方管支撑脚**.....含大康特有的专利保险装置, 双层厚壁方管可承受更重的载荷, 具有更长的使用寿命和更好的抗冲击能力。

Stainless Square tube legs.....double heavy duty square tubing legs for easily height adjusting, longer service life and better impact absorbing, with patented safety mechanism.



• **轴承**..... PL178 SS系列不锈钢轴承配尼龙衬套。
Bearing..... PL178 SS series stainless bearing with nylon housing
钢管.....304不锈钢, 48.3mm (标准), 35mm(可选)
Tube.....304 stainless, 1.9"(standard), 1-3/8"(optional)

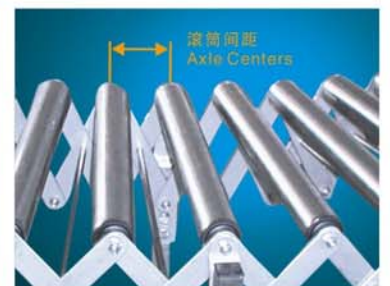


• **挡杆**.....拉起时可将传送物品挡在输送机的末端而防止物品滑出输送机, 不需要的时候可以将其放下

Package Stop...Prevents package falling off the conveyor and folds down when not needed



• **高度调节**.....通过调节旋钮可以很简单地升高或降低输送面的高度
Adjustable Height...Simply turn the locking knob to raise and lower the conveyor bed height



• **滚筒间距**.....在50-130mm之间均可选择, 可传送小尺寸物品
Axle Centers...Optional 2" - 5" are available for small package applications

Loading and Unloading System / 装卸货系统

Order NO: LUS460-LA/LB-EPR18-13

Belt Width 皮带宽度 Horizontal Boom Length 水平段长度 EPR Series EPR系列 Other Optional 其他选项

LUS BW - LA / LB - EPR18-13 -

Inclined Boom Length 倾斜段长度

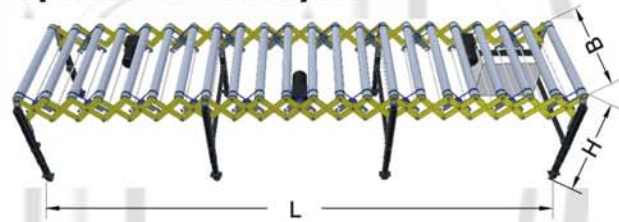
18" Expandable Conveyor Width 伸缩输送机宽度

13" Expandable Conveyor Length 伸缩输送机长度



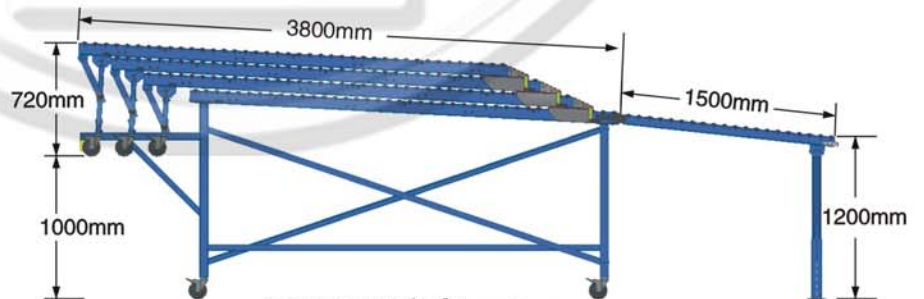
Expandable Conveyors

LUS610-2000



Expandable conveyor model 伸缩输送机规格	Conveyor length 输送机长度(mm)		Conveyor width 输送机宽度(mm)	Conveyor height 输送机高度(mm)
	Expanded/拉伸	Closed/收缩		
EPR-TB	4000	1650	460(18")	700-1000
			610(24")	
EPR-OR	4000	1650	760(30")	

Unloading System / 卸货系统



DRC 610系列/series
宽度/width=610

特性(Features):

- 特别适用于运送无外包装的易损物品, 以及表面过于光滑的包装或者物品。

Excellent in handling frangible object (without package), and object or package whose finish is too smooth to create enough friction for conveyor to control the flow of object or package.

- **包胶滚筒**..... 滚筒表面浇注优质耐磨橡胶, 再经过精密加工达到准确的外型尺寸。

Rubber coated roller..... quality wear resistant rubber is molded onto roller and precisely machined to dimension.

- **重载刹车脚轮**..... 直径127mm优质重载带刹车聚胺脂脚轮。可轻松移动输送机, 同时保证输送机的整体承载能力和使用寿命。输送机按照场地要求调整转弯及整体形状后, 踩下脚轮刹车, 可确保输送机在使用过程中不变形。

HD casters with brake...5" heavy duty caster with urethane tire & brake, features easy handling, high overall capacity and max durability of conveyor. Caster brakes hold wheel and swivel simultaneously while conveyor is in use.

- **滚筒**..... 48.3mm(标准), 35mm(可选)。表面镀锌。
Roller..... 1.9" (standard), 1-3/8" (optional). Rubber coated finish.



- **连接挂钩**..... 输送机尾部的挂钩可以方便地连接其他的输送设备
Leg Connect Brackets...Connector couplers easily connect additional conveyor



- **挡杆**..... 拉起时可将传送物品挡在输送机的末端而防止物品滑出输送机, 不需要的时候可以将其放下
Package Stop...Prevents package falling off the conveyor and folds down when not needed



- **标准长度 (Standard Lengths) :**
收缩: 1.5m 拉伸: 4m
Closed: 5' Expanded: 13'
客户要求长度可以定制
Customized Length Available

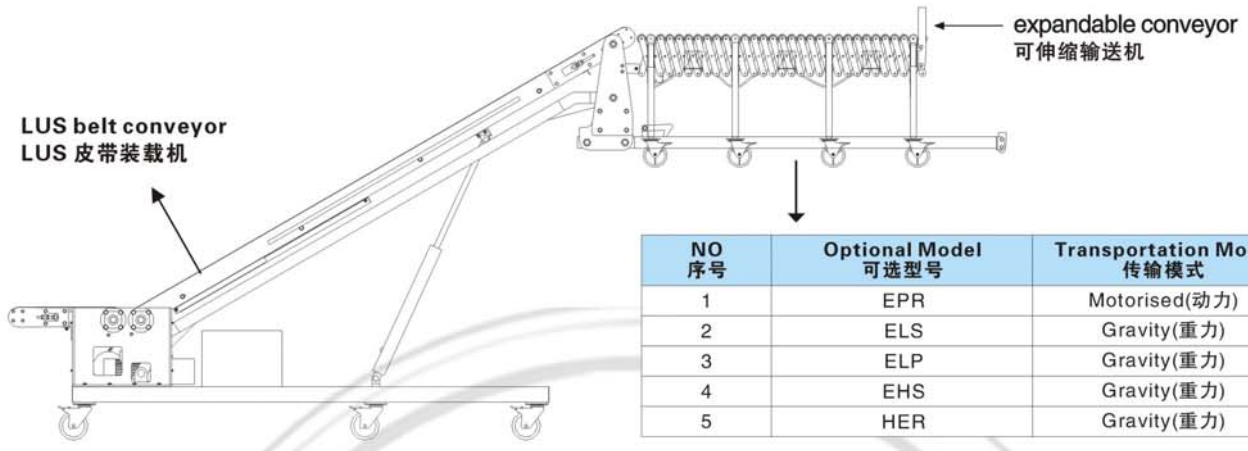


- **滚筒间距**..... 在50-130mm之间均可选择, 可传送小尺寸物品
Axle Centers...Optional 2" - 5" are available for small package applications

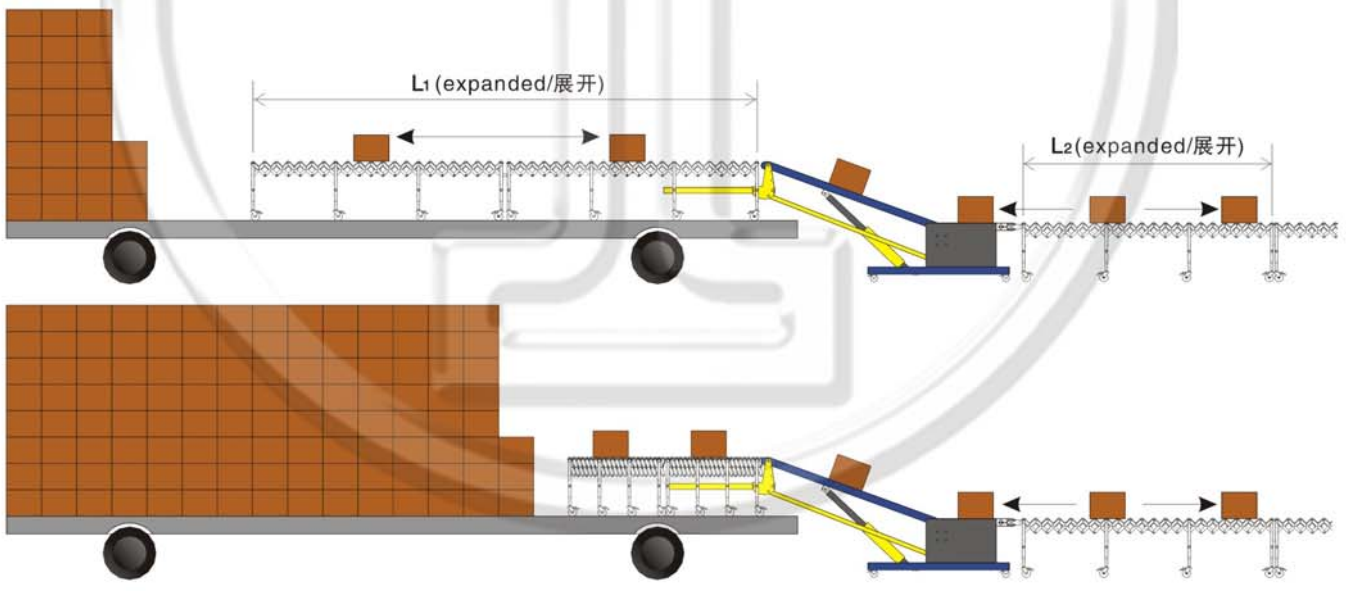


- **高度调节**..... 通过调节旋钮可以很简单地升高或降低输送面的高度
Adjustable Height...Simply turn the locking knob to raise and lower the conveyor bed height

· 设计 Design · 制造 Manufacture ·



NO 序号	Optional Model 可选型号	Transportation Mode 传输模式
1	EPR	Motorised(动力)
2	ELS	Gravity(重力)
3	ELP	Gravity(重力)
4	EHS	Gravity(重力)
5	HER	Gravity(重力)



On enquiry, please provide: Expandable conveyor length: L1 / L2
 询价请提供：可伸缩输送机的长度：L1 / L2

1. Expandable conveyor length / 输送机的长度
2. Package size, weight / 传送物品的规格和重量
3. Others special requirement / 其他特殊要求



EPR TB / 可伸缩动力滚筒输送机(同步带)



EPR / 可伸缩动力滚筒输送机(O型圈)



EHR SS / 可伸缩重力滚筒输送机(不锈钢)



ELS / 可伸缩轻载铁轮输送机



ELP / 可伸缩轻载塑料轮输送机(白色)



EHP / 可伸缩重载塑料轮输送机



EHS / 可伸缩重载铁轮输送机



EPR OR SS / 可伸缩动力滚筒输送机(不锈钢)



Structure Strength / 整机结构强度



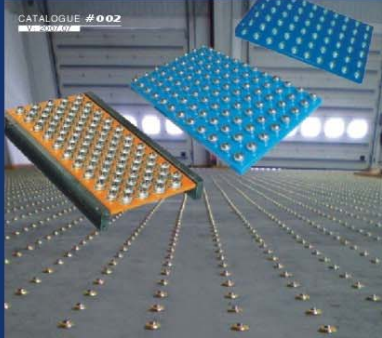
展会演示系统/Demonstration Unit for Exhibition



设计 Design · 制造 Manufacture · www.tycon.net

目录概况/Catalogue Briefs

CATALOGUE #002



万向球
BALL TRANSFER UNIT

TYCON(Fuzhou)Co.,LTD
福州大康机械设备有限公司

CATALOGUE #003

TYCON(Fuzhou)Co.,LTD
福州大康机械设备有限公司

轴承、滚轮、链条、链轮
BEARING, WHEEL, CHAIN & SPOCKET



www.tycon.net

CATALOGUE #004

TYCON(Fuzhou)Co.,LTD
福州大康机械设备有限公司

Flow rail
流利條



www.tycon.net

CATALOGUE #005



TYCON(FUZHOU) CO.,LTD.
福州大康机械设备有限公司

CATALOGUE #006



TYCON 输送机滚筒
Conveyor Roller

CATALOGUE #007


TYCON 大康机械

Gaster
Components



TYCON (FUZHOU) CO.,LTD

TYCON 大康机械



Chain Transfer

TYCON 大康机械



Chain-Driven Roller Conveyor


TYCON 大康机械

Light Duty Conveyor



Heavy Duty conveyor

TYCON 大康机械



Roller

中国福建省福州市五四路75号外贸中心集团9层901-905 (销售部)
 Room 901-905, Foreign Trade Center Building, 75 Wusi Road, Fuzhou, China. (Sales Office)
 Tel: 86-591-8752 3321 Fax: 86-591-8752 3357
 E-mail: info@tycon.net www.tycon.net